

# *Garden Hose Product List*

PRESENTED BY

SENTINEL

SYSTEMS LIMITED

Anton Veselov  
anton@sentinel.com.hk

# DECORATIVE HOSE STAND #HS-01



This decorative hose stand offers an attractive solution for storing your garden hose! Features 2-prong anchors that easily secure the hose stand into place; no cement or post holes are required. Made of heavy gauge steel with a durable powder coat finish.

#### Features:

- Decorative Scroll Design
- 125' of 5/8" Hose Stand
- Heavy Gauge Steel Construction
- Durable Powder Coat Finish
- 2-Prong Anchor Support



**Color:** Black

**Height:** 42"

**Width:** 12"

**Depth:** 10.63"

**Weight:** 6.30 lbs

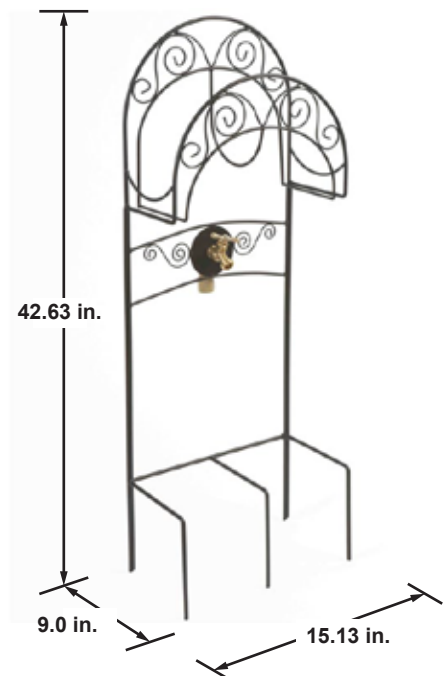
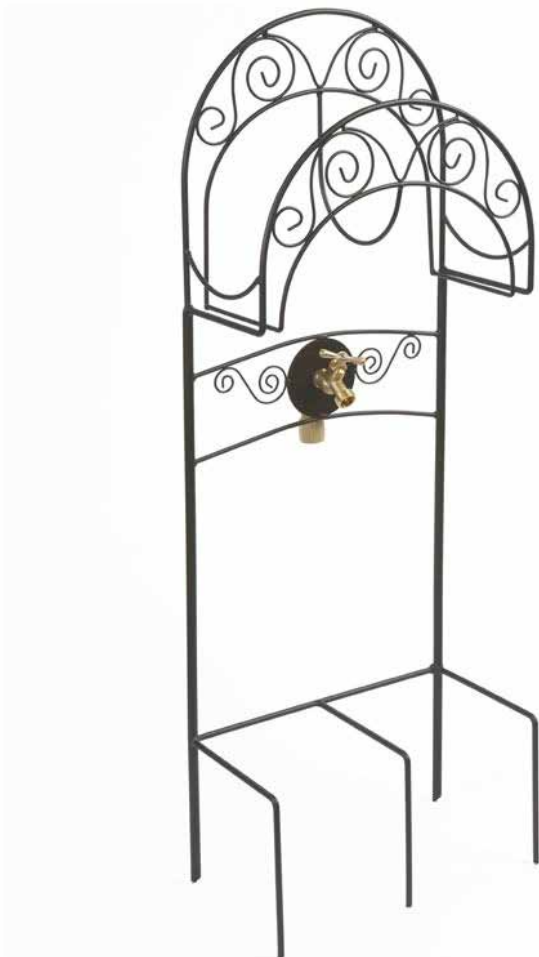
# CARRINGTON HOSE STAND WITH BIB #HS-02



This carrington hose stand is a beautiful hose stand that compliments any home or garden. Features 5-prong anchors that easily secures the hose stand into place; no cement or post holes are required. Made of heavy gauge steel with a durable powder coat finish.

## Features:

- Decorative Scroll Design
- 125' of 5/8" Hose Capacity
- Heavy Gauge Steel Construction
- Durable Powder Coat Finish
- 5-Prong Anchor Support



**Color:** Black  
**Height:** 42.63"  
**Width:** 15.13"  
**Depth:** 9"  
**Weight:** 7.70 lbs

# DECORATIVE HOSE STAND #HS-03



This decorative hose stand offers an attractive solution for storing your garden hose! Features 2-prong anchors that easily secure the hose stand into place; no cement or post holes are required. Made of heavy gauge steel wder coat finish.

#### Features:

- Decorative Scroll Design
- 125' of 5/8" Hose Capacity
- Heavy Gauge Steel Construction
- Durable Powder Coat Finish
- 2-Prong Anchor Support



**Color:** Black  
**Height:** 42"  
**Width:** 13"  
**Depth:** 11"  
**Weight:** 4.60 lbs

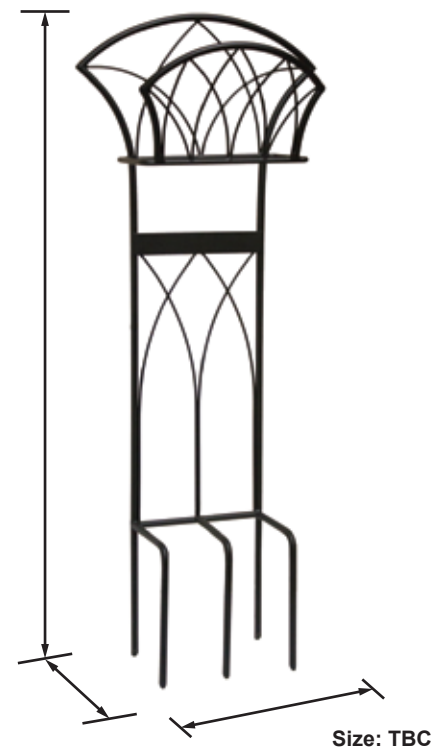
# DECORATIVE HOSE STAND #HS-04



This gothic inspired hose stand offers an attractive solution for storing your garden hose. No tools are required for installation! Just step down on the cross bar until anchors are firm planted in the ground. Protected by a weather resistant powder coat finish.

## Features:

- Detailed Gothic Design
- 150' of 5/8" Hose Capacity
- Heavy Gauge Steel Construction
- Durable Powder Coat Finish
- 3 Anchors for Hose Stand Stability



**Color: Black**

# INDUSTRIAL HOSE STAND #HS-05



This freestanding hose stand provides the perfect option for your home and garden needs. Made of durable 12 gauge steel and stands at 42.25" tall.

#### Features:

- 150' of 5/8" Hose Capacity
- 12 Gauge Steel Construction
- Durable Powder Coat Finish
- 5' Rack Radius
- Mounts in Compact Soil or Concrete



**Color:** Tan  
**Height:** 42.25"  
**Width:** 9.88"  
**Depth:** 7"  
**Weight:** 4.60 lbs

# INDUSTRIAL HOSE STAND WITH BIB #HS-06



This freestanding hose stand provides the perfect option for your home and garden needs. Features brass and PVC Connections, durable 12 gauge steel, and stands at 42.25" tall.

## Features:

- Detailed Gothic Design
- 150' of 5/8" Hose Capacity
- Heavy Gauge Steel Construction
- Durable Powder Coat Finish
- 3 Anchors for Hose Stand Stability



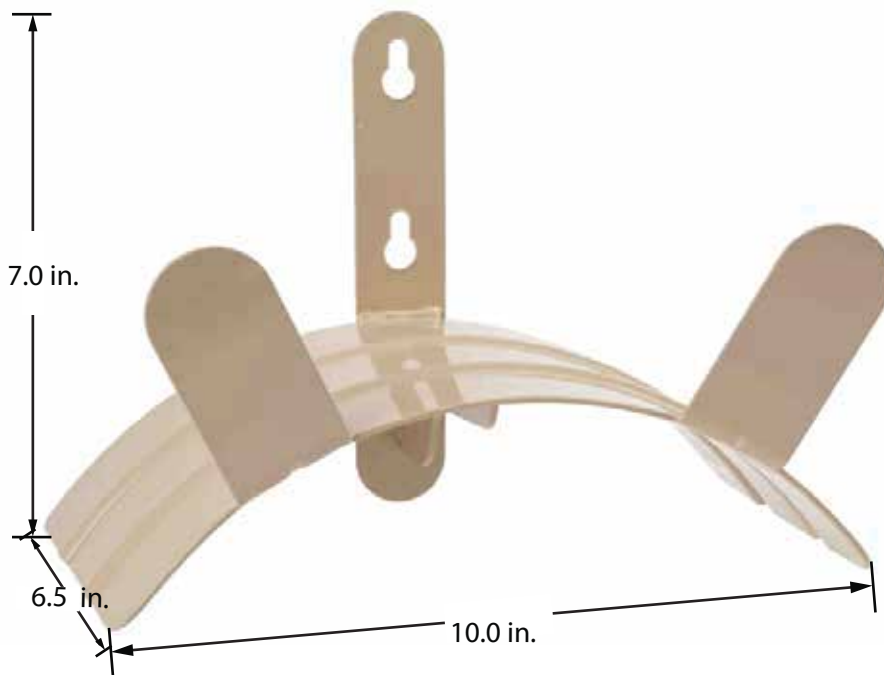
**Color:** Tan  
**Height:** 42.25"  
**Width:** 10"  
**Depth:** 10.75"  
**Weight:** 5.50 lbs

---

# WALL MOUNTED HOSE BUTLER #WM-01A/B

---

## #WM01A



This easily installed, patented unit keep your hoses neatly out of the way until you need them. Made of tough steel each economical unit is made to last.

Features:  
Perfect For Professional /Commercial Garden/Landscaping Needs  
Keeps Hose Neat - Ready to Use  
Made of 12 Gauge Steel Construction  
Holds up to 125' of Hose  
Durable Powder Coat Finish  
5' Rack Radius  
Key Slot Mounting Holes  
Limited Life Time Warranty

**Color:** Tan  
**Height:** 7"  
**Width:** 10"  
**Depth:** 6.50"  
**Weight:** 1.9 lbs

---

## #WM01B



This easily installed, patented unit keep your hoses neatly out of the way until you need them. Made of tough steel each economical unit is made to last.

Features:  
Perfect For Professional/Commercial Garden/Landscaping Needs  
Keeps Hose Neat - Ready to Use  
Made of 14 Gauge Steel Construction  
Holds up to 75' of Hose  
Durable Powder Coat Finish  
5' Rack Radius  
Key Slot Mounting Holes  
Limited Life Time Warranty

**Color:** Tan  
**Height:** 8"  
**Width:** 9"  
**Depth:** 12.25"  
**Weight:** 1.0 lbs

---

# WALL MOUNTED HOSE BUTLER #WM-02

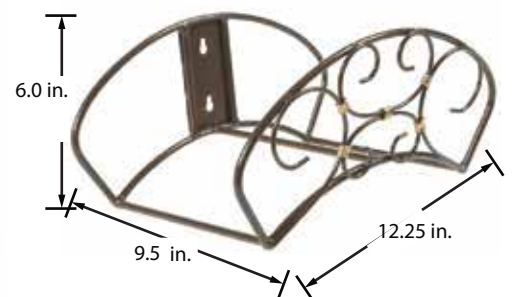
---



This economically priced wall mount hose butlers keep your garden hose neatly organized until needed. Each unit is made of tough steel and made to last. Wall mount butlers are perfect for home, business, construction site, professional /commercial gardening and landscaping needs.

## Features:

- Easy installation
- Key-slotted mounting system
- Solid steel construction
- Holds up to 125' of 5/8" garden hose
- Hose not included



Color: Bronze  
Height: 6"  
Width: 12.25"  
Depth: 9.50"  
Weight: 1.8 lbs

---

# WALL MOUNTED HOSE BUTLER #WH-03

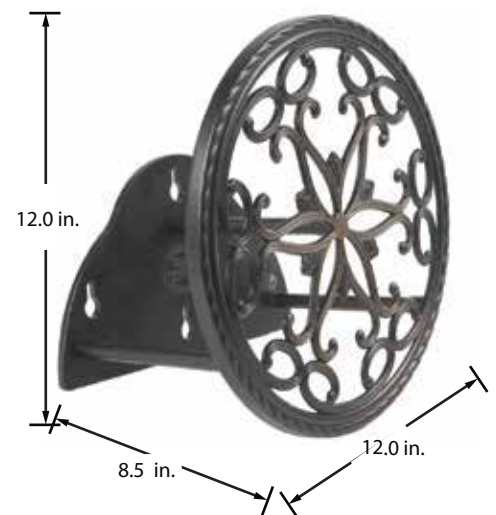
---



These attractive, decorative hose butlers are easily installed on to almost any structure to keep your hoses neatly out of the way until you need them. Each unit is made of non-rust cast aluminum or steel then finished with an attractive, durable powder coat finish.

#### Features:

Holds 125 ft. of 5/8" garden hose.  
All cast aluminum. Won't rust.  
Durable powder coat finish.  
Mounting hardware not included.  
Color: Antique Patina finish.  
Hose not included



Color: Bronze  
Height: 12"  
Width: 12"  
Depth: 8.50"  
Weight: 2.1 lbs

---

# WALL MOUNTED HOSE BUTLER #WM-04

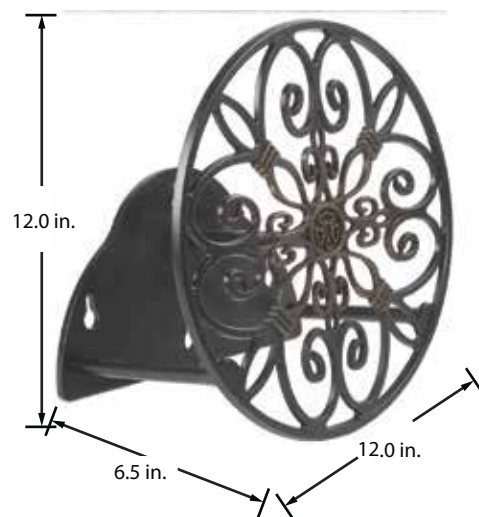
---



These attractive, decorative hose butlers are easily installed on to almost any structure to keep your hoses neatly out of the way until you need them. Each unit is made of non-rust cast aluminum or steel then finished with an attractive, durable powder coat finish.

## Features:

Classic Design  
Holds 125 ft. of 5/8" garden hose.  
All cast aluminum. Won't rust.  
Durable powder coat finish.  
Mounting hardware not included.  
Color: Antique Patina finish.  
Hose not included



Color: Bronze  
Height: 12"  
Width: 12"  
Depth: 6.50"  
Weight: 2.1 lbs

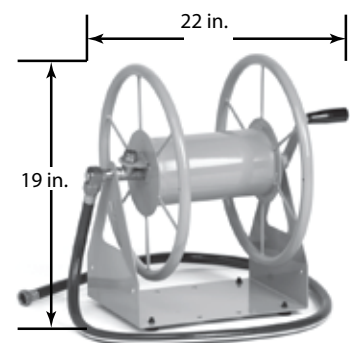
# WALL MOUNTED HOSE REEL #WM-05



The versatile #WM-05 Hose Reel is a heavy-duty, stainless-steel wall mounted reel that also anchors to lawn or turf or add the rubber boots for a nonskid floor mount. Made of tough 13 Gauge stainless-steel, this is one unit that will suit a variety of your hose reel needs.

## Features:

- Perfect For Home & Professional Garden/Landscaping Needs
- Keeps Hose Neat - Ready to Use
- Stainless-Steel Construction
- Holds up to 200' of 5/8" Hose
- 5' Inlet Hose Included
- All Brass/Galvanized Fixtures
- Limited Life Time Warranty
- Hose and Nozzle not included.



Overall Width  
Includes Handle and Brass Swivel

Color: Silver  
Height: 19"  
Width: 21.50"  
Depth: 16.63"  
Weight: 14.8 lbs

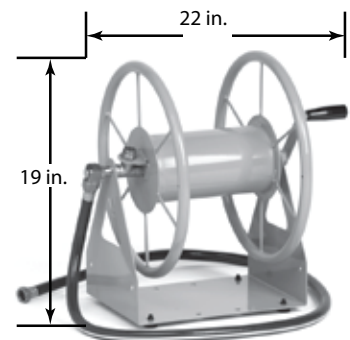
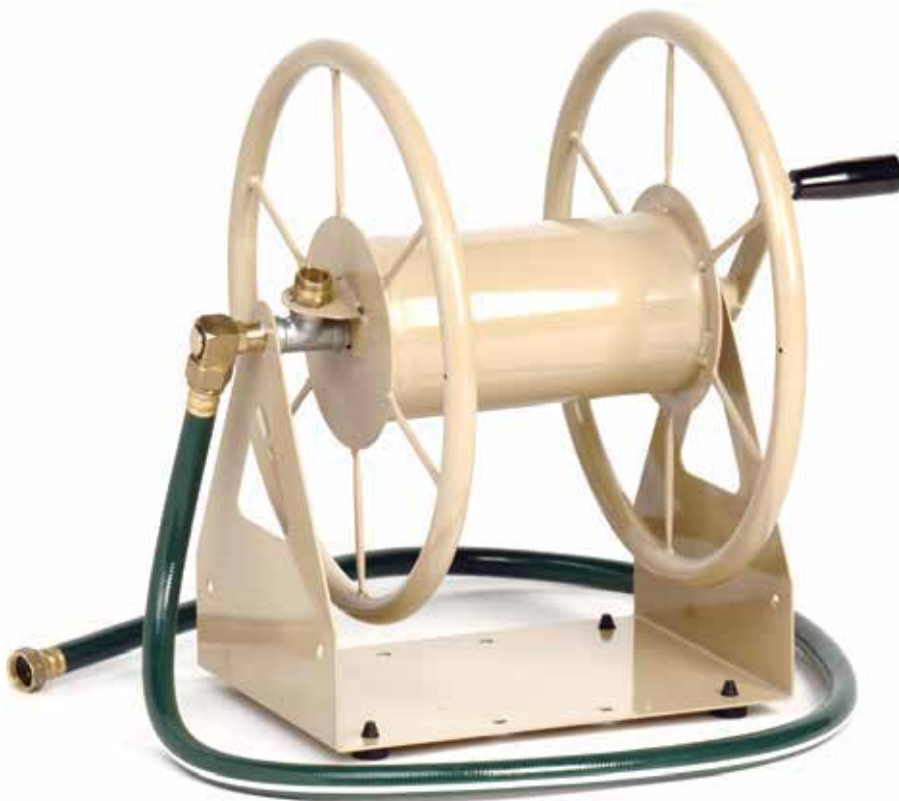
# WALL MOUNTED HOSE REEL #WM-06



The versatile #WM-06 Hose Reel is a heavy-duty, solid wall mounted reel that also anchors to lawn or turf or add the rubber boots for a nonskid floor mount. Made of tough 13 Gauge steel with industrial strength powder coated finish, this is one unit that will suit a variety of your hose reel needs.

## Features:

Perfect For Home & Professional Garden/Landscaping Needs  
Keeps Hose Neat - Ready to Use  
13 Gauge Steel Construction  
Holds up to 200' of 5/8" Hose  
5' Inlet Hose Included  
All Brass/Galvanized Fixtures  
Durable Powder Coat Finish  
Limited Life Time Warranty  
Hose and Nozzle not included.



Overall Width  
Includes Handle and Brass Swivel

Color: Tan  
Height: 19"  
Width: 21.50"  
Depth: 16.63"  
Weight: 15.3 lbs

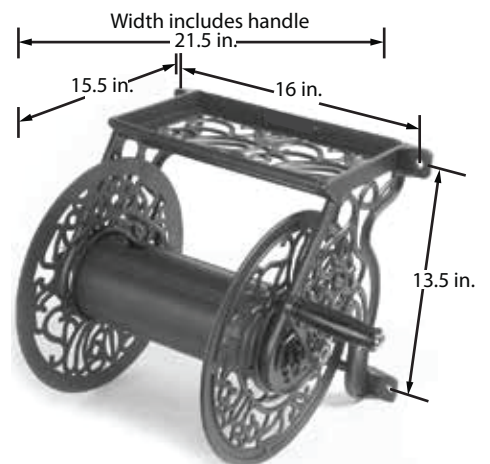
# WALL MOUNTED HOSE REEL #WM-07



The #WM-07 Decorative Wall Mounted Hose Reel is made of all non-rust, Cast Aluminum with aluminum plumbing fixtures and a durable powder coat finish. This decorative unit easily secures to home or wall where it will hold up to 125 feet of 5/8" garden hose that is easily pulled out for use, then retracted when done. A 7" x 14" shelf is perfect for holding your garden and watering tools.

## Features:

Perfect for home gardening needs  
5' Leader hose included  
Comes fully assembled  
Cast aluminum-Will not rust  
Ready to use-Easy to install  
Mounting hardware not included



Color: Bronze  
Height: 15.38"  
Width: 22.75"  
Depth: 15"  
Weight: 11.6 lbs

---

# WALL MOUNTED HOSE REEL #WM-08

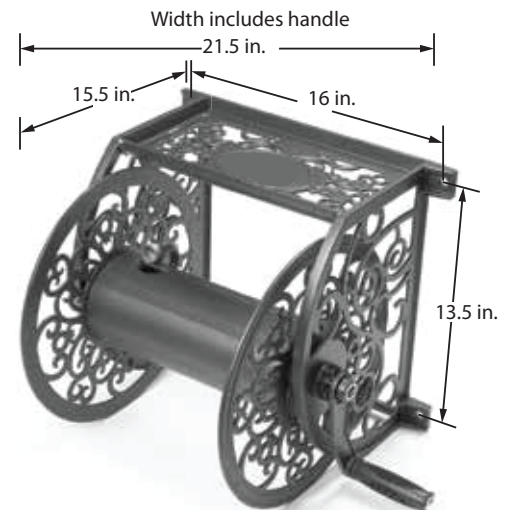
---



The model #WM-08 Decorative Wall Mounted Hose Reel is made of all non-rust, Cast Aluminum with aluminum plumbing fixtures and a durable powder coat finish. This decorative unit easily secures to home or wall where it will hold up to 125 feet of 5/8" garden hose that is easily pulled out for use, then retracted when done. A 7" x 14" shelf is perfect for holding your garden and watering tools.

#### Features:

Perfect for home gardening needs  
5' Leader hose included  
Comes fully assembled  
Cast aluminum-Will not rust  
Ready to use-Easy to install  
Mounting hardware not included



Color: Bronze  
Height: 15.38"  
Width: 22.75"  
Depth: 22.75"  
Weight: 11.6 lbs

---

# WALL MOUNTED HOSE REEL #WM-09

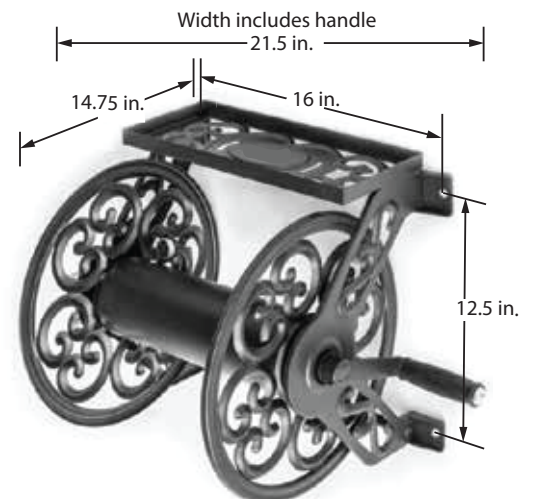
---



The model #WM-09 Decorative Wall Mounted Hose Reel is made of steel with aluminum/brass plumbing fixtures and a durable powder coat finish. This decorative unit easily secures to home or wall where it will hold up to 125 feet of 5/8" garden hose that is easily pulled out for use, then retracted when done. A 7" x 14" shelf is perfect for holding your garden and watering tools.

## Features:

Perfect for home gardening needs  
5' Leader hose included  
Comes fully assembled  
Bronze finish  
Ready to use-Easy to install  
Mounting hardware not included



Color: Bronze  
Height: 15.70"  
Width: 21"  
Depth: 15"  
Weight: 12.0 lbs

# ROTATING HOSE REEL #RH-01



The Rotating Hose Reel is the first wall mounted hose reel to rotate 360 degrees. It allows the user to wind or unwind the garden hose easily and efficiently. The Navigator rotates the hose in the direction of the hose as it is being unwound, preventing tangles and kinking. It also incorporates four locking positions to help wind and direct the hose to your desired location. This decorative, all steel hose can hold up to 125' of 5/8" garden hose.

- Holds 125' of 5/8" hose, 5' of leader hose included
- 90° solid brass swivel prevents hose damage
- Pull up knob for full 360° rotation
- 18 gauge steel construction
- Durable powder coat finish
- Just attach handle
- Storage tray included



Color: Bronze  
Height: 20.5"  
Width: 17.5"  
Depth: 23.5"